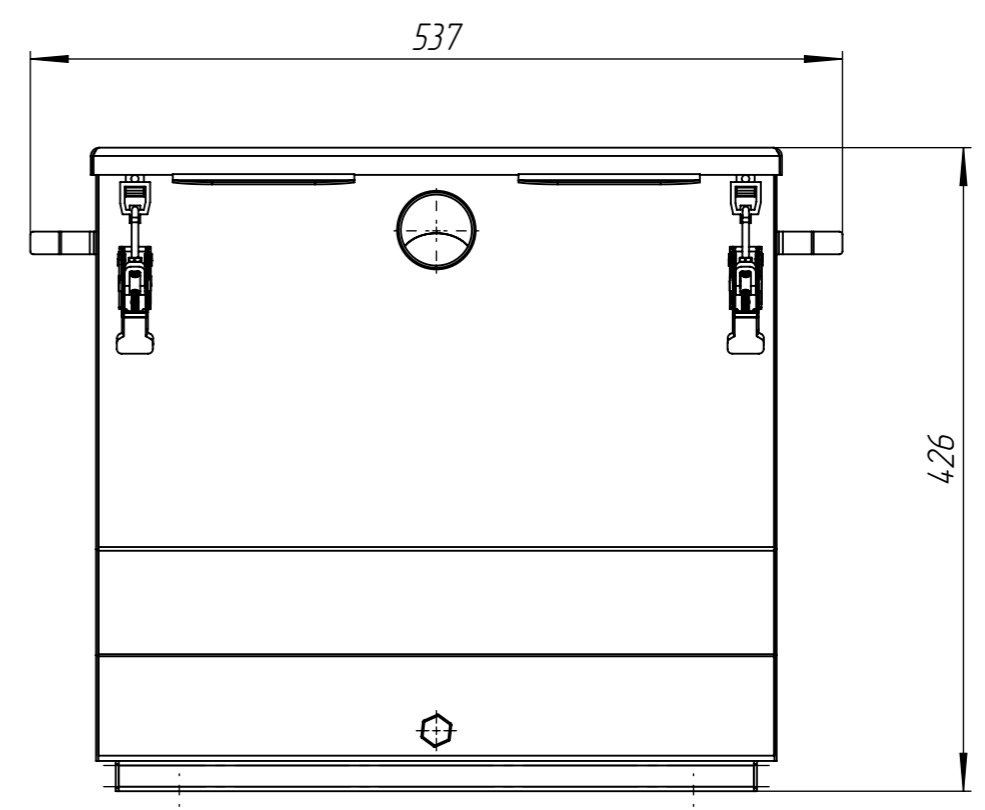
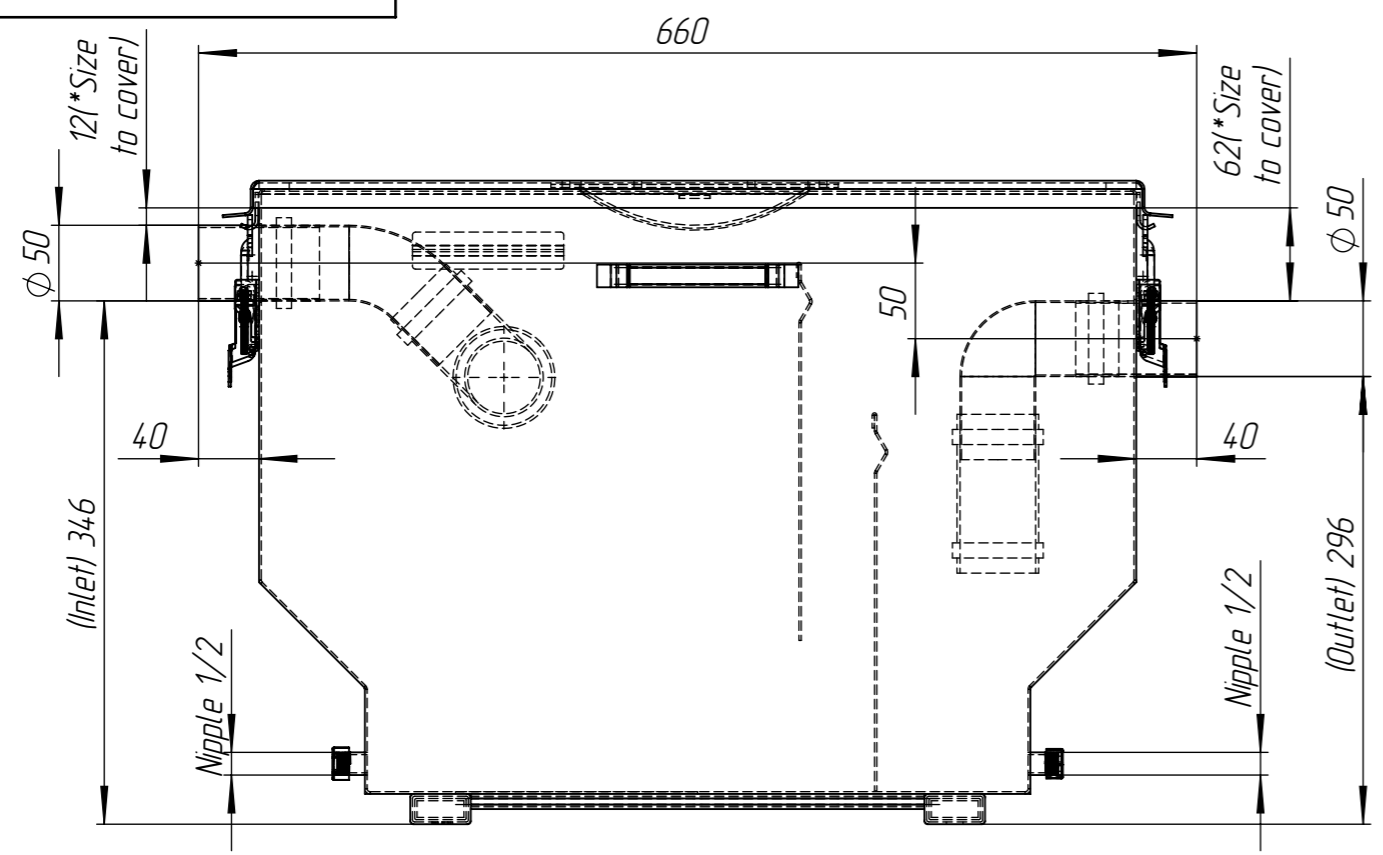
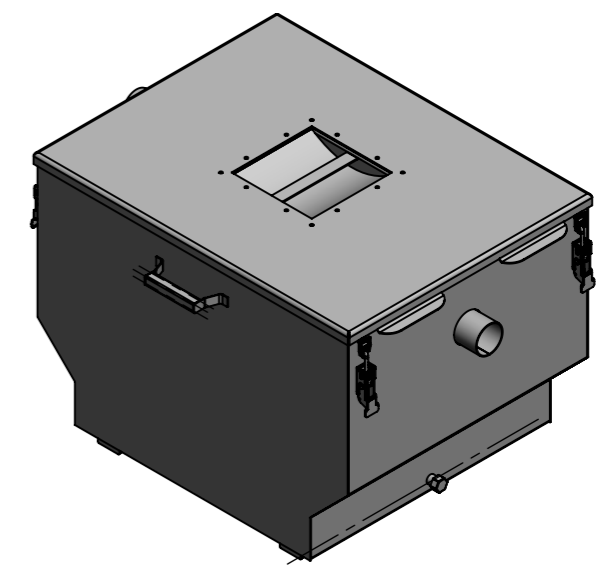
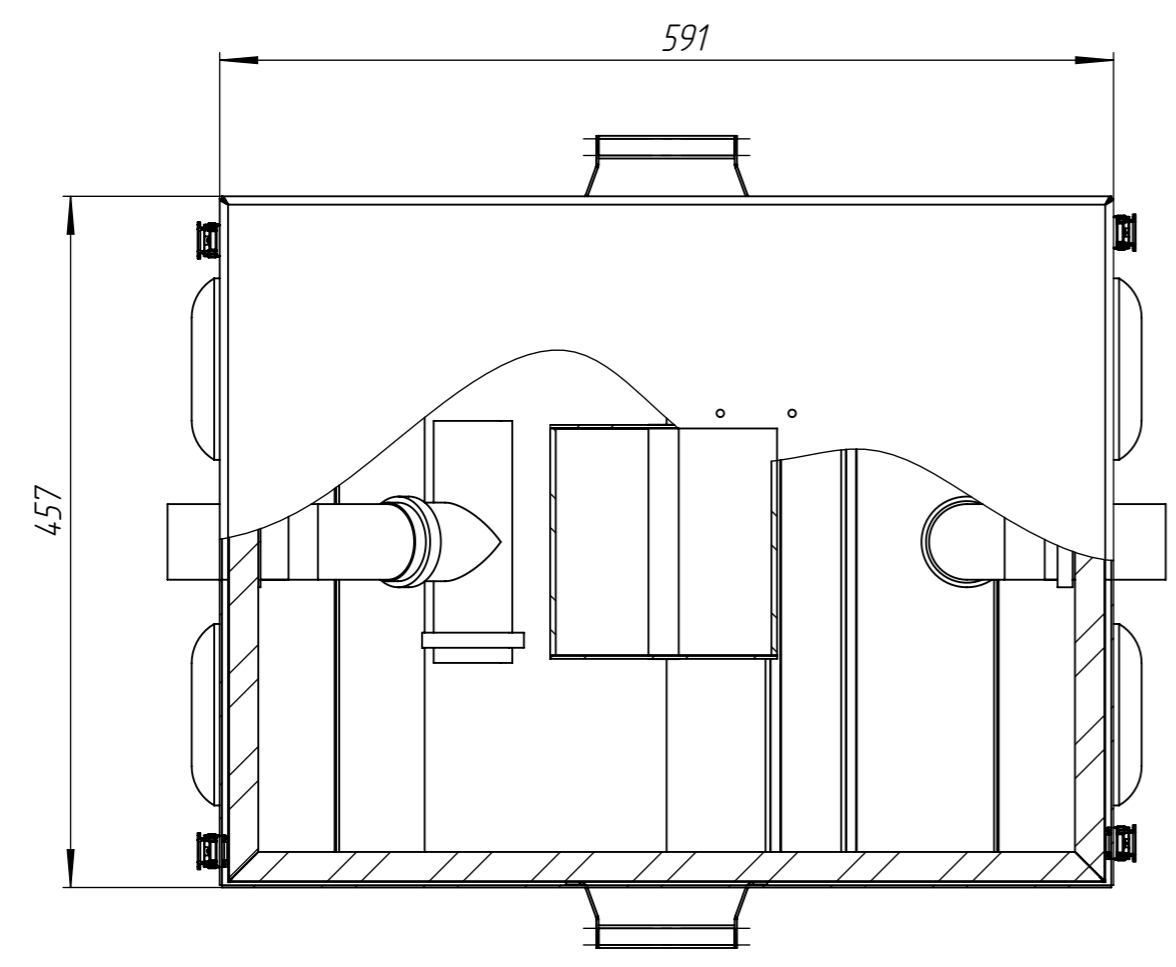


Primary Usage
Reference No.



Sign. and date
Copy inv. No.
Repl. Inv. No.
Sign. and date
Orig. Inv. No.



				Art.			
				VAMORA GRUP SRL			
Rev. Sheet	Doc. No.	Sign.	Data	Separator grasimi 0,3l/s	Let.	Weight	Scale
Dvlpd by						20.54	1:5
Chkd by					Sheet	Sheets 1	
Tech. Ctrl							
Reg. Doc. Ctrl							
Aprvd by							